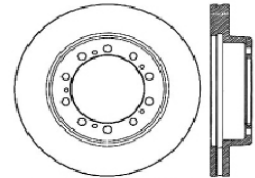


## D225 Applications and Tech Sheet

Make Year	Pads	Rotors	Calipers
GMC 1983-1996	D225	120.80001	Bendix Caliper 2 x 2.88 Piston 141.80003
IHC 1988- 1997	D225	120.83000 120.83002 120.83016	120.83001 120.83006 Bendix Caliper 2 x 2.88 Piston 141.80003

### 120.80001

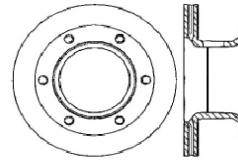
Behind the hub



Outer Dia: 15.37"  
Height: 3.40"  
Nom Thick: 1.54"  
Min Thick: 1.32"  
Hub Reg: 6.00"  
Bolt Size: .60"  
Bolt Circle: 10 x 7.25"  
Weight: 45.00 lbs.

### 120.83001

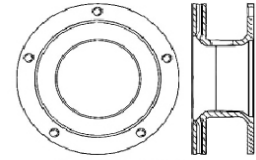
U - Shape



Outer Dia: 15.00"  
Height: 6.80"  
Nom Thick: 1.44"  
Min Thick: 1.32"  
Hub Reg: 7.00"  
Bolt Size: .80"  
Bolt Circle: 6 x 8.75"  
Weight: 52.00 lbs.

### 120.83006

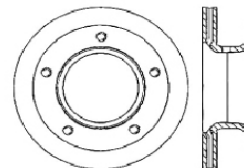
U - Shape



Outer Dia: 15.00"  
Height: 4.49"  
Nom Thick: 1.43"  
Min Thick: 1.32"  
Hub Reg: 9.18"  
Bolt Size: .78"  
Bolt Circle: 5 x 11.25"  
Weight: 49.00 lbs.

### 120.83000

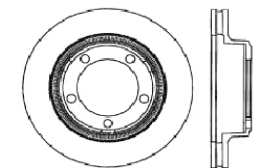
U - Shape



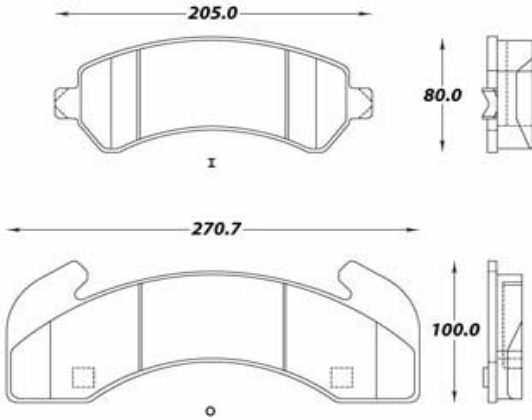
Outer Dia: 15.00"  
Height: 4.26"  
Nom Thick: 1.44"  
Min Thick: 1.32"  
Hub Reg: 9.00"  
Bolt Size: .65"  
Bolt Circle: 5 x 10.50"  
Weight: 48.22 lbs.

### 120.83016

\*ABS Ring Behind the hub



Outer Dia: 15.00"  
Height: 3.50"  
Nom Thick: 1.44"  
Min Thick: 1.32"  
Hub Reg: 5.39"  
Bolt Size: .77"  
Bolt Circle: 5 x 6.75"  
Weight: 37.00 lbs.



7808-D225

FRITEC	7808-D225	F/D	R/T	T/E
7808-D225	CHEVROLET C-65 57T042	X	X	29,1,20,2

**TIMKEN**  
Where You Turn

